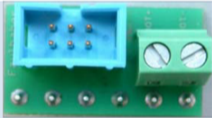
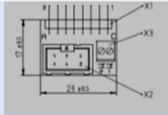

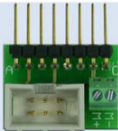
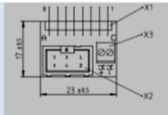


2. Adapterconnector

Product description/ Product number	For combination with	Picture	Drawing	Comment
IE2- Adapter Nr. 6501.00063	MCDC3006S XX SC2804S SC5008S			For connecting the IE2 connector directly into the Speed Controller 
IE2-Adapter Nr. 6501.00084	MCDC3002S XX SC1801S			For connecting the IE2 connector directly into the Speed Controller 