

# Spur Gearheads

## Zero Backlash

# 0,03 Nm

For combination with  
DC-Micromotors  
Brushless DC-Motors  
Stepper Motors

## Series 12/5

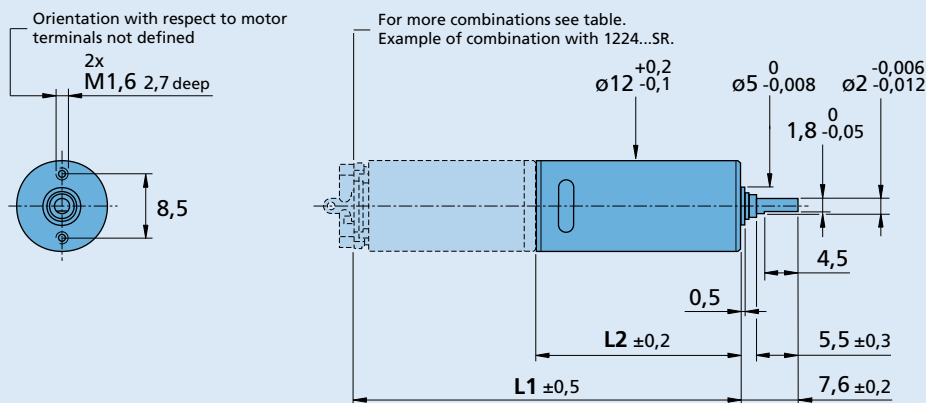
	12/5
Housing material	metal
Geartrain material	metal
Recommended max. input speed for:	
– continuous operation	5 000 rpm
Backlash, at no-load	0 °
Bearings on output shaft	ball bearings, preloaded
Shaft load, max.:	
– radial (4,5 mm from mounting face)	≤ 5 N
– axial	≤ 5 N
Shaft press fit force, max.	≤ 10 N
Shaft play	
– radial (4,5 mm from mounting face)	≤ 0,04 mm
– axial	= 0 mm
Operating temperature range	- 30 ... + 100 °C

### Specifications

	5	6	7	8	9
Number of gear stages					
Continuous torque	mNm 30	30	30	30	30
Intermittent torque	mNm 100	100	100	100	100
Mass without motor, ca.	g 11	12	13	14	15
Efficiency, max.	-	-	-	-	-
Direction of rotation, drive to output	≠	=	≠	=	≠
Reduction ratio <sup>1)</sup> (rounded)	69,2:1	161:1	377:1	879:1	2 050:1
L2 [mm] = length without motor	18,7	20,8	22,9	25,0	27,1
L1 [mm] = length with motor					
1024E...S	42,4	44,5	46,6	48,7	50,8
1224E...SR	42,9	45,0	47,1	49,2	51,3
1028E...B	46,8	48,9	51,0	53,1	55,2
1218E...B	36,7	38,8	40,9	43,0	45,1
1226E...B	44,7	46,8	48,9	51,0	53,1
ADM1220S...-57	36,1	38,2	40,3	42,4	44,5
AM1020...-10	34,6	36,7	38,8	40,9	43,0

<sup>1)</sup> The reduction ratios are rounded, the exact values are available on request or at [www.faulhaber.com](http://www.faulhaber.com).

**Note:** These gearheads are available only with motors mounted.



12/5