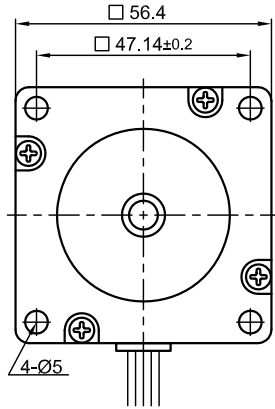
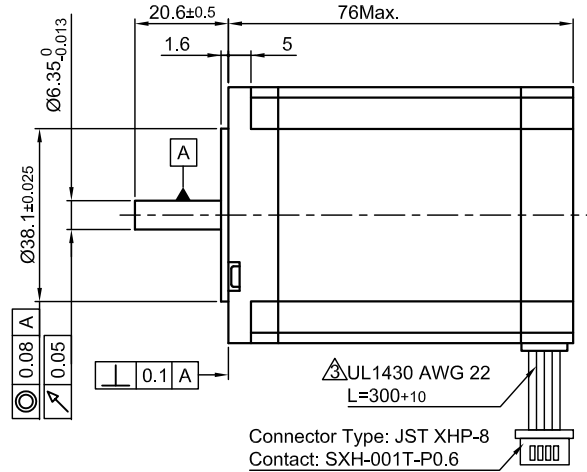


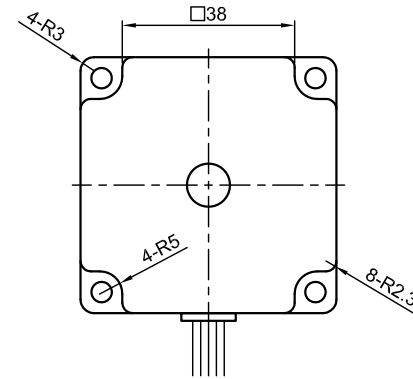
Front view and mounting



Side view



Rear view



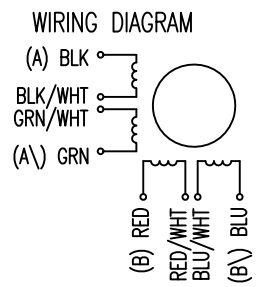
SPECIFICATION	CONNECTION	UNIPOLAR OR BIPOLAR-1 WINDING	BIPOLAR	
			SERIAL	PARALLEL
VOLTAGE (VDC)		4.8		
AMPS/PHASE		2.0	1.41	2.82
RESISTANCE/PHASE (Ohms)@25°C		2.4±10%	4.8±10%	1.2±10%
INDUCTANCE/PHASE (mH) @1KHz		5.1±20%	20.4±20%	5.1±20%
HOLDING TORQUE (Nm) [lb-in]		1.32 [11.71]	1.87 [16.52]	1.87 [16.52]
DETENT TORQUE (Nm) [lb-in]		0.068 [0.602]		
STEP ANGLE (°) ± ACCURACY		1.8±5% (NON-ACCUM)		
ROTOR INERTIA (Kg-m²) [lb-in²]		4.8x10 ⁻⁵ [0.164]		
WEIGHT (Kg) [lb]		1.0 [2.2]		
TEMPERATURE RISE: MAX.80°C (MOTOR STANDSTILL; FOR 2 PHASE ENERGIZED)				
AMBIENT TEMPERATURE -10~ 50°C [14°F ~ 122°F]				
INSULATION RESISTANCE 100 MOhm (UNDER NORMAL TEMPERATURE AND HUMIDITY)				
INSULATION CLASS B 130° [266°F]				
DIELECTRIC STRENGTH 500VAC FOR 1 MIN. (BETWEEN THE MOTOR COILS AND THE MOTOR CASE)				
AMBIENT HUMIDITY MAX. 85% (NO CONDENSATION)				

PERMISSIBLE RADIAL+AXIAL FORCE				
ROTOR SPRING-MOUNTED IN AXIAL DIRECTION		SPRING WASHER		
AXIAL-FORCE Fa (N)		Fa=15		
DISTANCE a (mm)		5	10	15 20
RADIAL-FORCE Fr (N)		130	90	70 52
		AXIAL	RADIAL	
SHAFT PLAY (mm)		0.08	0.02	
AT LOAD MAX: (N)		4.5	4.5	

TYPE OF CONNECTION (EXTERN)				MOTOR		
UNIPOLAR	BIPOLAR			CONNECTOR PIN NO.	LEADS	WINDING
	1WINDING	SERIAL	PARALLEL			
A	A	A	A	1	BLK	A
COM	A			3	BLK/WHT	
A\		A\	A\	2	GRN/WHT	A\
B	B	B	B	4	GRN	B
COM	B			5	RED	
B\		B\	B\	6	RED/WHT	B\
				7	BLU/WHT	
				8	BLU	

FULL STEP 2 PHASE-Ex., WHEN FACING MOUNTING END (X)

STEP	A	B	A\	B\	CCW	CW
1	+	+	-	-	↓	↑
2	-	+	+	-	↓	↑
3	-	-	+	+	↓	↑
4	+	-	-	+	↓	↑



4	NEW VALUE OF HOLD. TOR.	04.11.13	J.D.
3	NEW UL NO.+VALUE OF BACK-EMF	20.07.09	J.W.
2	TECHNICAL DATE	09.04.08	J.W.
REV	DESCRIPTION	DATE	APVD

Nanotec
PLUG & DRIVE

ST5918L2008-A

SCALE FREE	APVD	S.Ha.	19.03.07
X ±0.5	CHKD		
1PL ±0.2	DRN	J.W.	21.11.06
2PL ±0.1	SIGNATURE		DATE
ANGLE ±30'			

STEPPING MOTOR

DWG.NO ST5918L2008-A