

MP100 Slip Rings

MP100 slip rings, with PCB pancake design, thickness can reach up to 6mm, bore size could be designed from 3mm to 70mm, are standard. Color-coded lead wires are used on both the stator and rotor for simplified electrical connections.

PART# Explanation:

MP100 - P0610 - S06

S06: signal/2A each @ 6 circuits

P0610: 10A each @ 6 circuits



thickness 6mm~10mm

Specifications

PART #	SIGNAL/2A	10A	20A	TOTAL WIRES	PART #	SIGNAL/2A	10A	20A	TOTAL WIRES
MP100-S02	2	0	0	2	MP100-P0210	0	2	0	2
MP100-P0210-S02	2	2	0	4	MP100-P0410	0	4	2	4
MP100-S06	6	0	0	6	MP100-P0610	0	6	0	6
MP100-P0620	0	0	6	6	MP100-P0210-S04	4	2	0	6
MP100-S12	12	0	0	12	MP100-P1210	0	12	0	12
MP100-P1220	0	0	12	12	MP100-P0610-S06	6	6	0	12
MP100-P0620-S06	6	0	6	12	MP100-S18	18	0	0	18
MP100-P1810	0	18	0	18	MP100-P0610-S12	12	6	0	18
MP100-P1210-S06	6	12	0	18	MP100-P0810-S10	10	8	0	18
MP100-S24	24	0	0	24	MP100-P2410	0	24	0	24
MP100-P1210-S12	12	12	0	24	MP100-P0610-S18	6	18	0	24

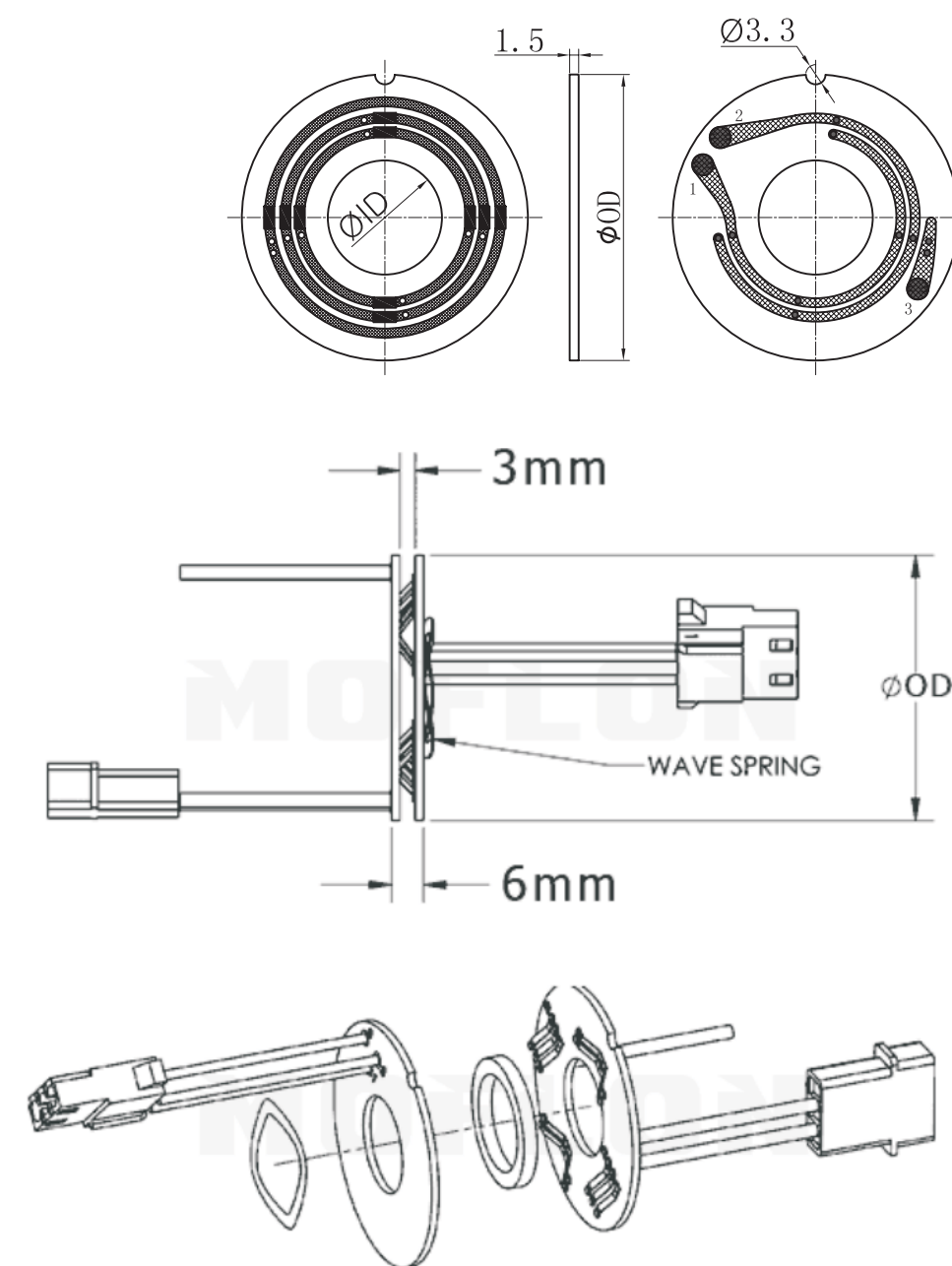
Shared Specifications

Rings	2-24(see table as above)	Current	6Signal(2A),10A,Multiple 10A
Voltage	600 VDC/VAC	Max speed	400RPM
Bore size	depends on your request	Thickness	6mm (0.24")
Working life	30million revolutions	Contact material	Precious Metal:Gold-Gold
Electrical noise	<20 milliohms	Contact Resistance	<100mOhm(AWG16#,300mm)
Dielectric strength	500VDC@50Hz	Lead Wire	UL Teflon®
Insulation resistance	1000MΩ@600VDC	Lead Lengths	250mm
Operating Temp.	-40°C to 80°C	Protection	IP51
Mechanical vibration	MIL-SID-810E	Humidity	10% to 90% RH
Materials	Lead Free,RoHS compliant	CE Certified	YES

Notes:

- 1)The operational life of the unit is dependent upon rotational speed, environment and temperature.
- 2)Lead Wire size: 2A/signal -> AWG22, 10A -> AWG16, 20A -> Awg14, colored code.
- 3)Electrical noise is dependent upon the rotating speed and current,voltage.

Drawings



MP100 - MP SERIES

MP210 - MP SERIES

12 wires for one group color. from 13 ... 24, repeat the same color as 1 ... 12, indicated with number code pipe.

Lead wire Color codes

Rings#	Color Code	Rings#	Color Code	Rings#	Color Code
1	BLK	5	YEL	9	GRY
2	BRN	6	GRN	10	WHT
3	RED	7	BLU	11	PINK
4	ORN	8	PURPLE	12	AZURY

Optional Flanges mounting:

At sometimes, we need a different flange for mounting instead, how should we do?

Great! Moflon supply flange style as below:

(when you order, pls add FL01 at the suffix of Part#, for example: MP100-06S-FL01 means MP100-06S with optional flange FL01.)

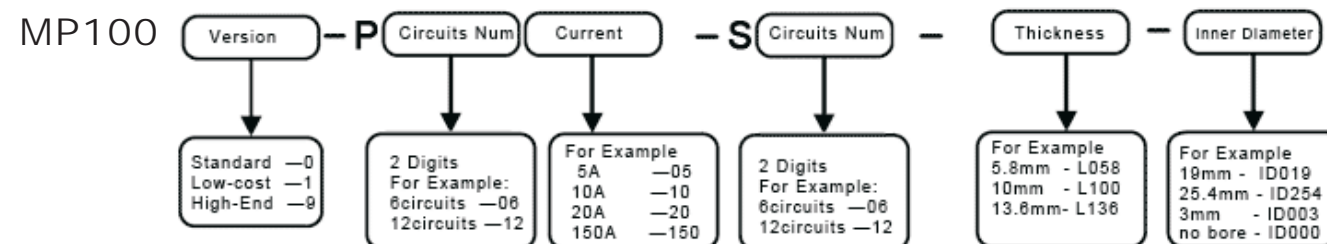
Options

- ▶ MP109 is the high-end version corresponding to MP100.
- ▶ MP101 is the low-cost version corresponding to MP100.
- ▶ Can combine more wires: 1-36Ring
- ▶ Specified connectors and Heat-shrink tube.
- ▶ Longer lead lengths available.
- ▶ Shielded cables
- ▶ Connectors

Build On Request

how to build on request?

Please see ordering information instructions as below:



For example:

▶ if order MP100 with 3wires*15A each + 12wires*signal,thickness 6.8mm,bore size 20mm,the model should be MP100-0315-12S-L068-ID020.

▶ if order MP109 with 12wires*signal,thickness 12mm,bore size 50.1mm,the model should be MP100-12S-L120-ID501

▶ if you have other optional requirements,such as wire exit direction,lead wire length,connectors,high temperature,large current, military grade, Please descrip in your email.

After Finishing above, pls send email to us: technical@moflon.com for further technical support.

MP210 Slip Rings

MP210 slip rings, with through bore size 12.7mm(0.5"), Thickness(Length) 20.00mm, are standard, off-the-shelf, Color-coded lead wires are used on both the stator and rotor for simplified electrical connections.

PART# Explanation:

MP100 - P0610 - S06

S06: signal/2A each @ 6 circuits

P0610: 10A each @ 6 circuits



Specifications

PART #	OD	SIGNAL 2A	10A	20A	TOTAL WIRES	PART #	OD	SIGNAL 2A	10A	20A	TOTAL WIRES
MP210-S02	76	2	0	0	2	MP210-P0210	76	0	2	0	2
MP210-P0210-S02	92	2	2	0	4	MP210-P0410	92	0	4	2	4
MP210-S06	108	6	0	0	6	MP210-P0610	108	0	6	0	6
MP210-P0620	108	0	0	6	6	MP210-P0210-S04	108	4	2	0	6
MP210-S12	156	12	0	0	12	MP210-P1210	156	0	12	0	12
MP210-P1220	156	0	0	12	12	MP210-P0610-S06	156	6	6	0	12
MP210-P0620-S06	156	6	0	6	12	MP210-S18	204	18	0	0	18
MP210-P1810	204	0	18	0	18	MP210-P0610-S12	204	12	6	0	18
MP210-P1210-S06	204	6	12	0	18	MP210-P0810-S10	204	10	8	0	18
MP210-S24	252	24	0	0	24	MP210-P2410	252	0	24	0	24
MP210-P1210-S12	252	12	12	0	24	MP210-P0610-S18	252	6	18	0	24
MP210-S36	348	36	0	0	36	MP210-S48	444	48	0	0	48

Shared Specifications

Rings	2-36(see table as above)	Current	Signal(2A),10A,Multiple 10A
Voltage	250 VDC/VAC	Max speed	250RPM
Through Bore size	12.7mm(1/2")	Thickness	20mm (0.79")
Housing Material	Aluminium Alloy	Torque	0.8N.m
Working life	80million revolutions	Contact material	Precious Metal:Gold-Gold
Electrical noise	<20 milliohms	Contact Resistance	<200mOhm(AWG16#,300mm)
Dielectric strength	1000VDC@50Hz	Lead Wire	UL Teflon®
Insulation resistance	1000MΩ@600VDC	Lead Lengths	250mm
Operating Temp.	-40°C to 80°C	Protection	IP51
Mechanical vibration	MIL-SID-810E	Humidity	10% to 90% RH
Materials	Lead Free,RoHS compliant	CE Certified	YES