

ENG

[www.phytron.eu/phyBASIC](http://www.phytron.eu/phyBASIC)

## phyBASIC

### Precision Stepper Motor with High Torque and Smooth Running

Our motor series *phyBASIC* combines the advantages of a price-optimised design with excellent operating characteristics. That makes the *phyBASIC* motors particularly suitable for standard applications in the manufacturing industries. Good running performance, high torque and solid craftsmanship make the *phyBASIC* an excellent choice for environments up to IP 40 when it comes to quick precise positioning tasks. Through the 200-step design, the optimised metal sheet cut and the smooth running the motor is also suitable for high precision applications.

#### More than just a standard

To help you find the perfect solution for your project, we offer you the opportunity to realise individual changes on the basis of our motor series. If *phyBASIC*, *phyHARSH* (up to IP65) or the VSS in vacuum series is not sufficiently adapted to your application, we will develop one of our motors to the „perfect fit“ for

your application. Combined with our modular motion controller *phyMOTION*<sup>™</sup>, the driver 1-STEP-Drive (for SIMATIC<sup>®</sup> ET200<sup>®</sup> S) or our amplifiers you will receive a perfectly tuned system of high quality motors, power amplifiers and controllers. Through a careful selection of suppliers and our certified quality system (ISO 9001), we make sure that *phyBASIC* motors meet our high quality requirements and can be reliably used together with our electronics. You receive accustomed high phytron quality at good prices - bundled with our excellent support!

your application. With our vast application experience of drives e.g. in paper production or even satellite optics we have the know-how to move your application.

RoHS  
compliant

CE

#### In Focus



high precision



high torque



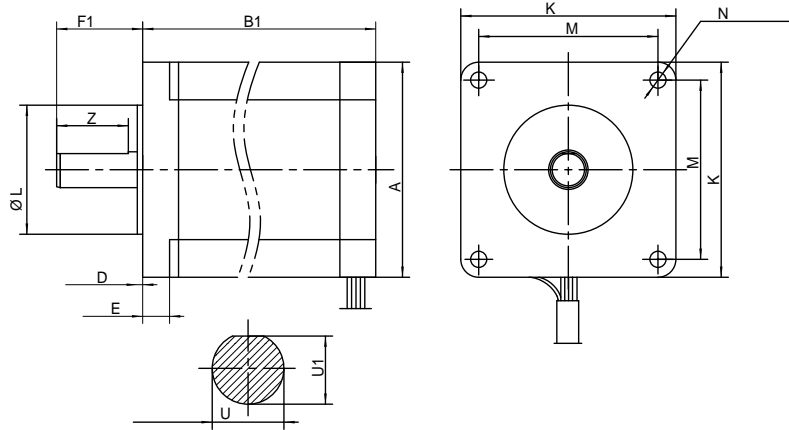
smooth running

- 2-phase stepper motors
- Holding torques from 50 mNm to 7.2 Nm
- Edge dimension from 20 to 86 mm
- Number of steps (standard) 200
- Step accuracy  
5 % for 1.8° stepper motors
- Operating voltage  
*phyBASIC* 20,28,42 (NEMA 8,11,17):  
36 to 48 V<sub>DC</sub>  
*phyBASIC* 56,86 (NEMA 23/34): 72 V<sub>DC</sub>
- Standard connection: 4-lead parallel
- Protection class IP 40
- Insulation class B, 130 °C
- Insulation resistance 100 MΩ
- Cable with mating connector included
- Gear
- Options/customised

available from  
February 2014

Standard

Stepper motor *phyBASIC* 20 to 86 (NEMA 8 to 34)

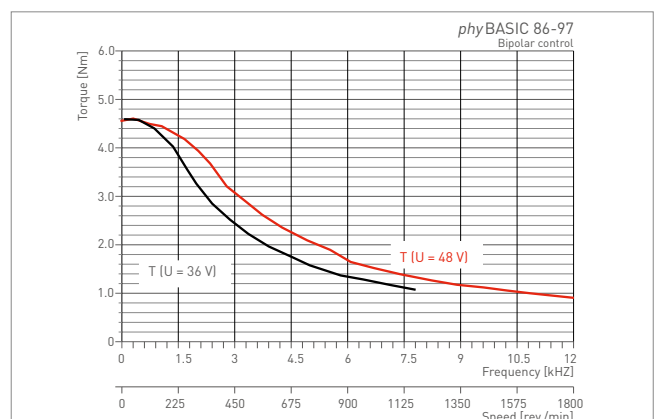
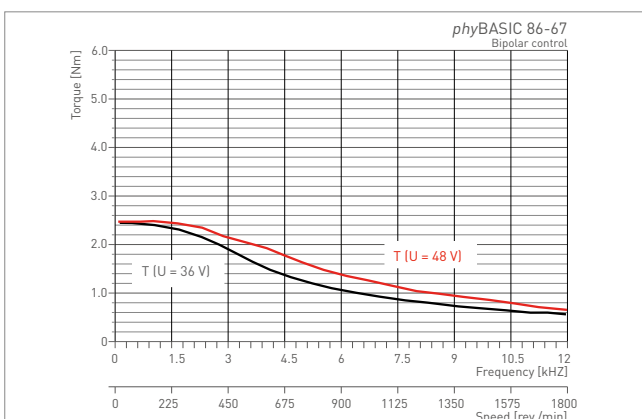
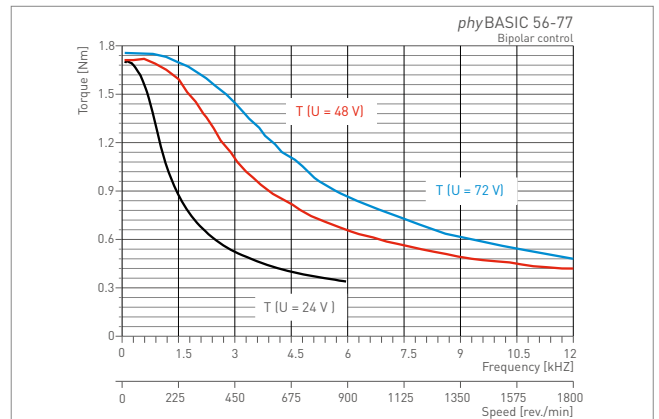
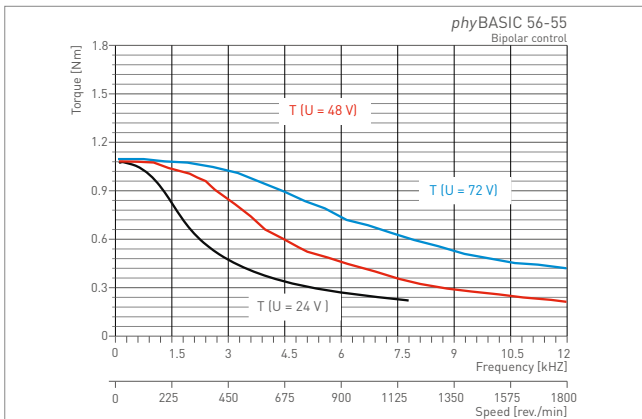
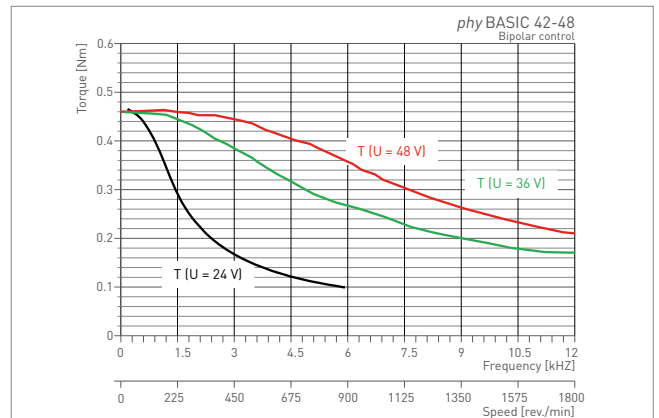
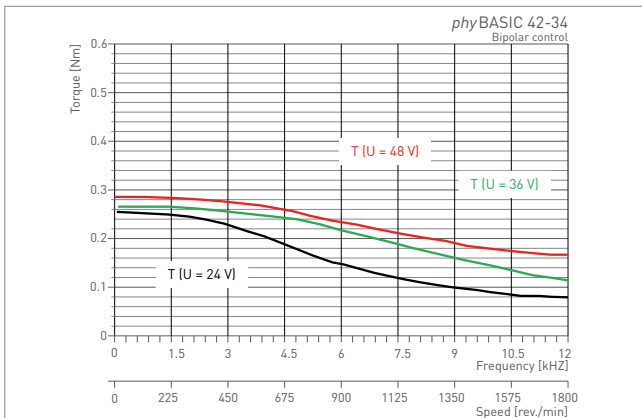
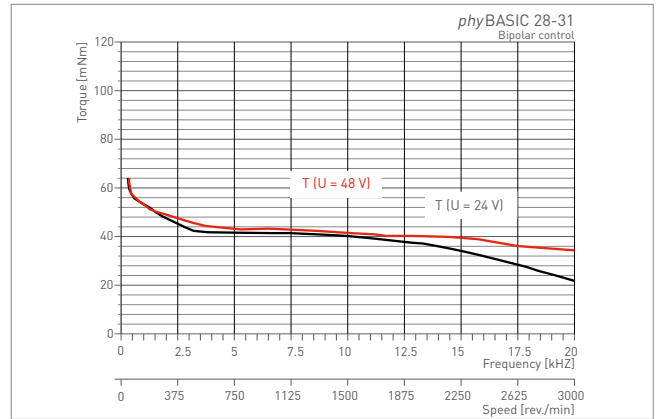
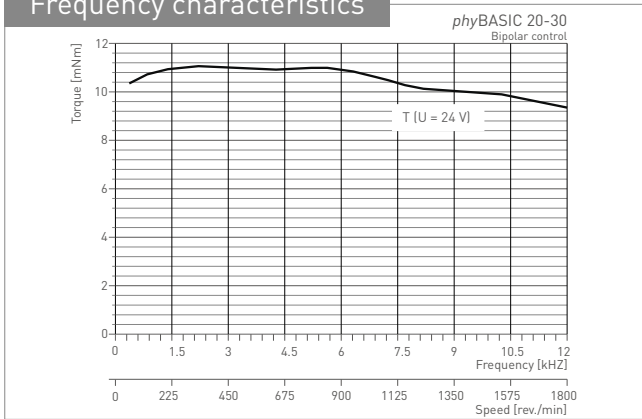


Dimensions / Electrical and mechanical characteristics

NEMA	Size		Mechanical characteristics										Dimensions in mm											
			Current/Phase	Resistance/Phase	Inductivity/Phase	AWG	max. voltage	Holding torque	Detent torque	Rotor mass inertia	Bearing load													
											A	Q	mH	V	mNm	mNm	kg cm <sup>2</sup>	axial	radial	kg	A	B1	D	E
8	20-30	0.6	6.7	1.25	26	24	16	2	2	4	30	0.05	20.1	30	1.5	-	20	20.1	15	16	M2	4	-	-
11	28-31	1.6	2.5	2.2	26	48	50	5	0.009	8	52	0.1	28.3	31	2	-	20	28.3	22	23	M2.5	5	4.5	15
17	42-34	1.5	1.7	2.9	26	48	320	12	0.038	65	29	0.21	42.3	34.3	2	-	24	42.3	22	31	M3	5	4.5	15
17	42-48	1.5	2.2	4.9	26	48	620	25	0.082	65	29	0.36	42.3	48.3	2	-	24	42.3	22	31	M3	5	4.5	15
23	56-55	2.2	1.6	6.9	22	72	1500	45	0.22	130	70	0.6	56.4	55	1.6	4.8	20.6	56.4	38.1	47.1	5.1	6.35	5.8	15
23	56-77	2.0	2.3	9.8	22	72	2300	75	0.39	130	70	1.0	56.4	77	1.6	4.8	20.6	56.4	38.1	47.1	5.1	6.35	5.8	15
34	86-67	5.0	0.48	4.5	18	72	3800	90	0.95	155	220	1.6	86	67	1.25	-	31.7	86	73	69.6	6.5	12.7	13	25
34	86-97	5.0	0.61	8	18	72	7200	150	1.6	155	220	2.7	86	97	1.25	-	31.7	86	73	69.6	6.5	12.7	13	25

Valid for 20°C ambient temperature and atmospheric pressure.

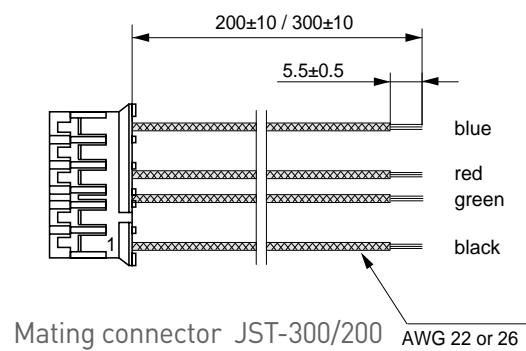
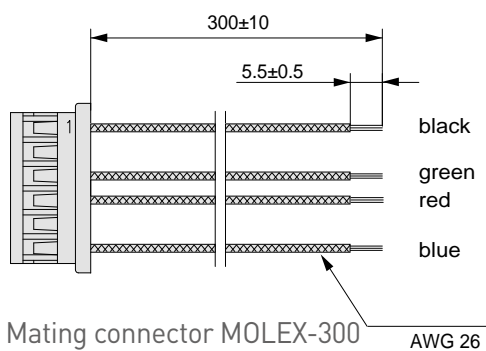
Frequency characteristics



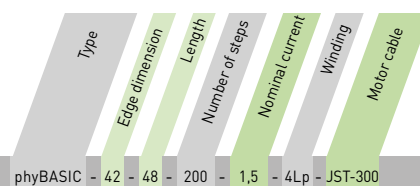
## Standard

### Connectors and Mating connectors

Motor	Connector on the motor (pin)	Mating connector	
		Housing	Crimp contact
phyBASiC 20	JST B6B-ZR(LF)(SN)	JST ZHR-6	JST SZH-002T-P0,5
phyBASiC 28	MOLEX 53253-0670	P/N MOLEX 51065-0600	P/N MOLEX 50212-8000
phyBASiC 42	JST S6B-PH-K (LF)(SN)	JST PHR-6	JST SPH-002T-P0,5
phyBASiC 56	JST S6B-XH-A-1 (LF)(SN)	JST XHP-6	JST SXH-001T-P0,6
phyBASiC 86	Wire leads	-	-



### Ordering Code



Ordering code example: phyBASiC - 42 - 48 - 200 - 1,5 - 4Lp - JST-300

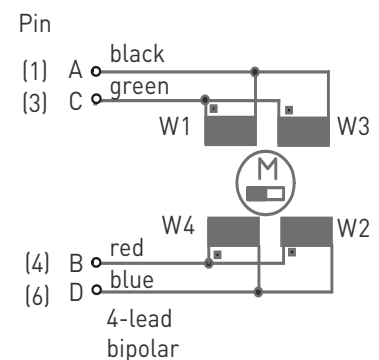
#### Options

Edge dimension [mm](NEMA)

Ordering code

20 (NEMA 8)	phyBASiC-20-30-200-0,6-4Lp-JST-200
28 (NEMA 11)	phyBASiC-28-31-200-1,6-4Lp-MOLEX-300
42 (NEMA 17)	phyBASiC-42-34-200-1,5-4Lp-JST-300
	phyBASiC-42-48-200-1,5-4Lp-JST-300
56 (NEMA 23)	phyBASiC-56-55-200-2,2-4Lp-JST-300
	phyBASiC-56-77-200-2,0-4Lp-JST-300
86 (NEMA 34)	phyBASiC-86-67-200-5,0-4Lp-300
	phyBASiC-86-97-200-5,0-4Lp-300

### Motor connection



### Equipment

- Cable with mating connector included

Phytron GmbH

Industriestraße 12 – 82194 Gröbenzell  
 T +49-8142-503-0 F +49-8142-503-190