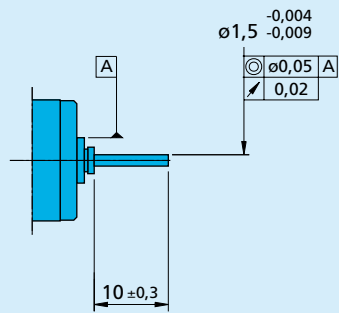


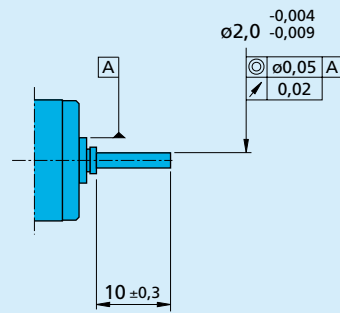
Options for DC-Micromotors

Options are available on request, depending on motor type.
For more details refer to the respective data sheet

Front face shafts

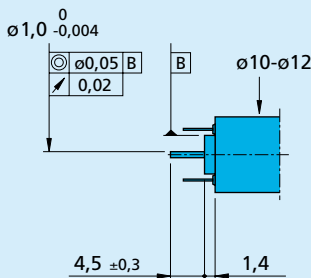


Series 1319 - 2233

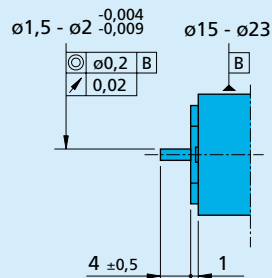


Series 1336, 1727, 2224, 2230, 2233

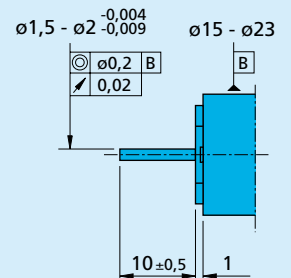
Rear end shafts



Series 0816 - 1224

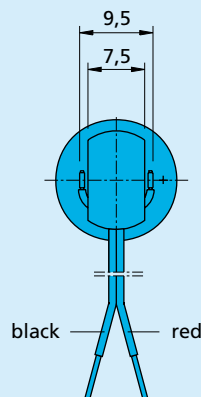
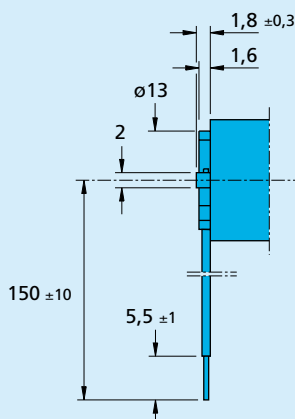


Series 1516 - 2233



Series 1516 - 2233

Leadwires



Lead wires PVC, AWG 26 = 2 x $\varnothing 0,14$ mm²
temperature range -30° ... +85°C.

Lead wires PTFE, AWG 24 = 2 x $\varnothing 0,24$ mm²
temperature range -55° ... +125°C.

Series 1516 - 2233