

NEW

Brushless DC-Gearmotors

100 mNm

For combination with
Speed Controller:
SC 1801

Series 2622 ... B

	2622 S		006 B	012 B	
1 Nominal voltage	U _N		6	12	Volt
2 Terminal resistance, phase-phase	R		7,0	28,2	Ω
3 Output power	P _{2 max.}		1,92	1,91	W
4 Efficiency	η _{max.}		78	78	%
5 No-load speed	n ₀		6 200	6 200	rpm
6 No-load current	I ₀		0,012	0,006	A
7 Stall torque	M _H		7,73	7,68	mNm
8 Friction torque, static	C ₀		0,025	0,025	mNm
9 Friction torque, dynamic	C _v		1,35 · 10 ⁻⁵	1,35 · 10 ⁻⁵	mNm/rpm
10 Speed constant	k _n		1 055	528	rpm/V
11 Back-EMF constant	k _E		0,948	1,895	mV/rpm
12 Torque constant	k _M		9,05	18,1	mNm/A
13 Current constant	k _I		0,111	0,055	A/mNm
14 Slope of n-M curve	Δn/ΔM		816	822	rpm/mNm
15 Terminal inductance, phase-phase	L		480	1 940	μH
16 Mechanical time constant	τ _m		69	70	ms
17 Rotor inertia	J		8,1	8,1	gcm ²
18 Angular acceleration	α _{max.}		9,5	9,5	· 10 ³ rad/s ²
19 Thermal resistance	R _{th 1} / R _{th 2}	33 / 27			K/W
20 Thermal time constant	τ _{w1} / τ _{w2}	20 / 230			s

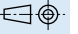
Integrated Gearhead

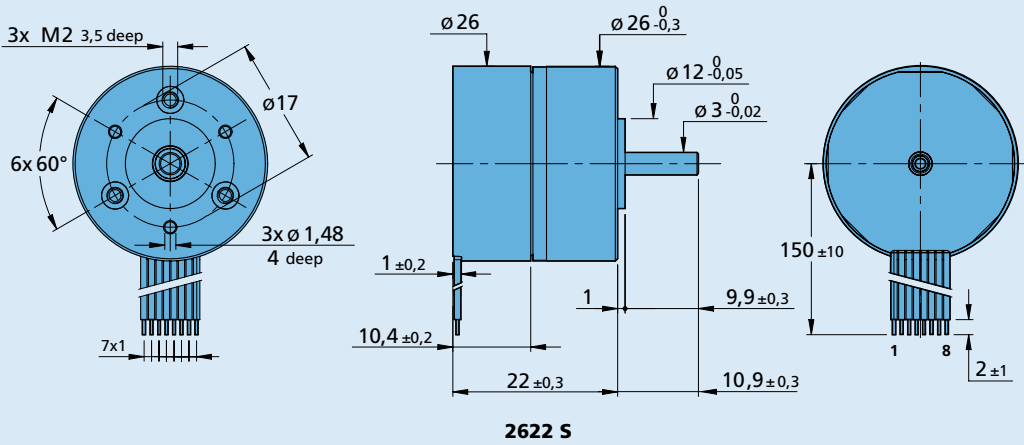
Housing material		plastic	
Geartrain material		metal	
Backlash, at no-load	≤	4	°
Bearings on output shaft		ball bearing	
Shaft load max.:			
– radial (5 mm from mounting face)	≤	15	N
– axial	≤	5	N
Shaft press fit force, max.	≤	10	N
Shaft play:			
– radial (5 mm from mounting face)	≤	0,03	mm
– axial	≤	0,25	mm
Operating temperature range		– 25 ... + 80	°C

Specifications

reduction ratio (rounded)	output speed up to n _{max} rpm	weight with motor g	output torque		direction of rotation (reversible)	efficiency %
			continuous operation M _{max} mNm	intermittent operation M _{max} mNm		
8 : 1	635	25	9	30	=	81
22 : 1	223	26	23	75	≠	73
33 : 1	151	26	30	100	=	60
112 : 1	44	27	93	180	≠	59
207 : 1	24	27	100	180	=	53
361 : 1	14	27	100	180	=	53
814 : 1	6	28	100	180	=	43
1 257 : 1	4	29	100	180	=	43

2622 S ... B

M1:1 



Connection

No.	Function
1	Phase C
2	Phase B
3	Phase A
4	GND
5	+ 5V
6	Hall sensor C
7	Hall sensor B
8	Hall sensor A