

Spur Gearheads

Zero Backlash ¹⁾

15 mNm

For combination with (overview on page 14-15)
DC-Micromotors:
0816

Series 08/3

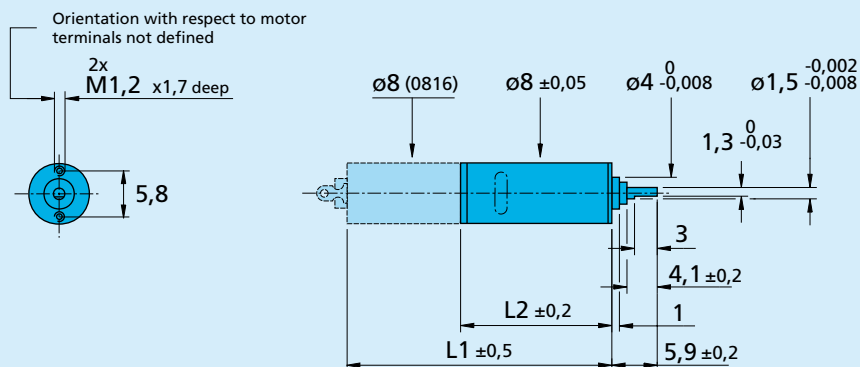
	08/3
Housing material	metal
Geartrain material	metal
Recommended max. input speed for:	
– continuous operation	8 000 rpm
Backlash, when preloaded with the DC-Micromotor ¹⁾	0°
Bearings on output shaft	ball bearings
Shaft load, max.:	
– radial (4,5 mm from mounting face)	≤ 5 N
– axial	≤ 3 N
Shaft press fit force, max.	≤ 5 N
Shaft play (on bearing output):	
– radial	≤ 0,02 mm
– axial	≤ 0,05 mm
Operating temperature range	– 30 ... + 100 °C

Specifications

reduction ratio (nominal)	weight without motor g	length without motor L2 mm	length with motor 0816 D L1 mm	output torque		direction of rotation (reversible)
				continuous operation M max. mNm	intermittent operation M max. mNm	
120 :1	4,5	18,8	34,8	15	25	
279 :1	4,9	20,6	36,6	15	25	⊥
650 :1	5,3	22,4	38,4	15	25	
1 518 :1	5,7	24,2	40,2	15	25	⊥

¹⁾ These gearheads are available preloaded to zero backlash only when factory assembled to motors.

Note: The reduction ratios are rounded, the exact values are available on request.
For detailed information on zero backlash gearheads see page 120.



08/3